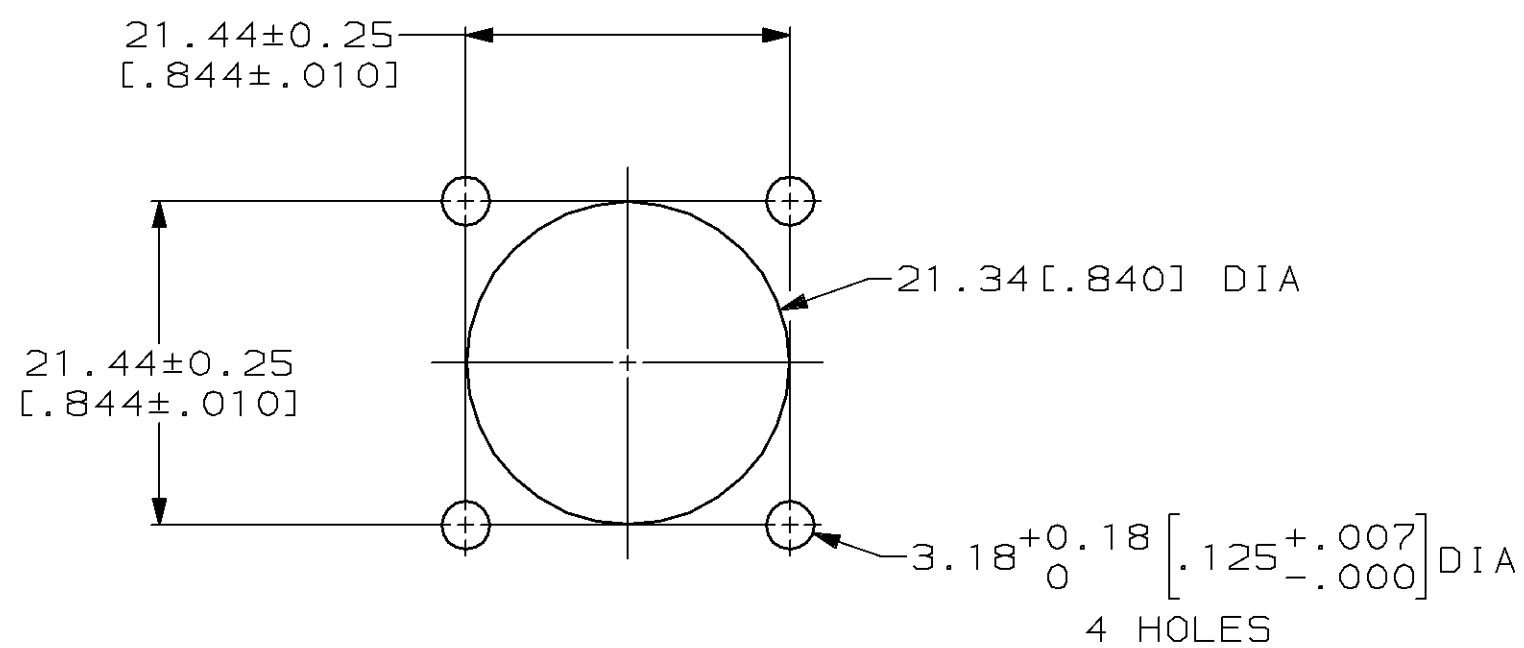
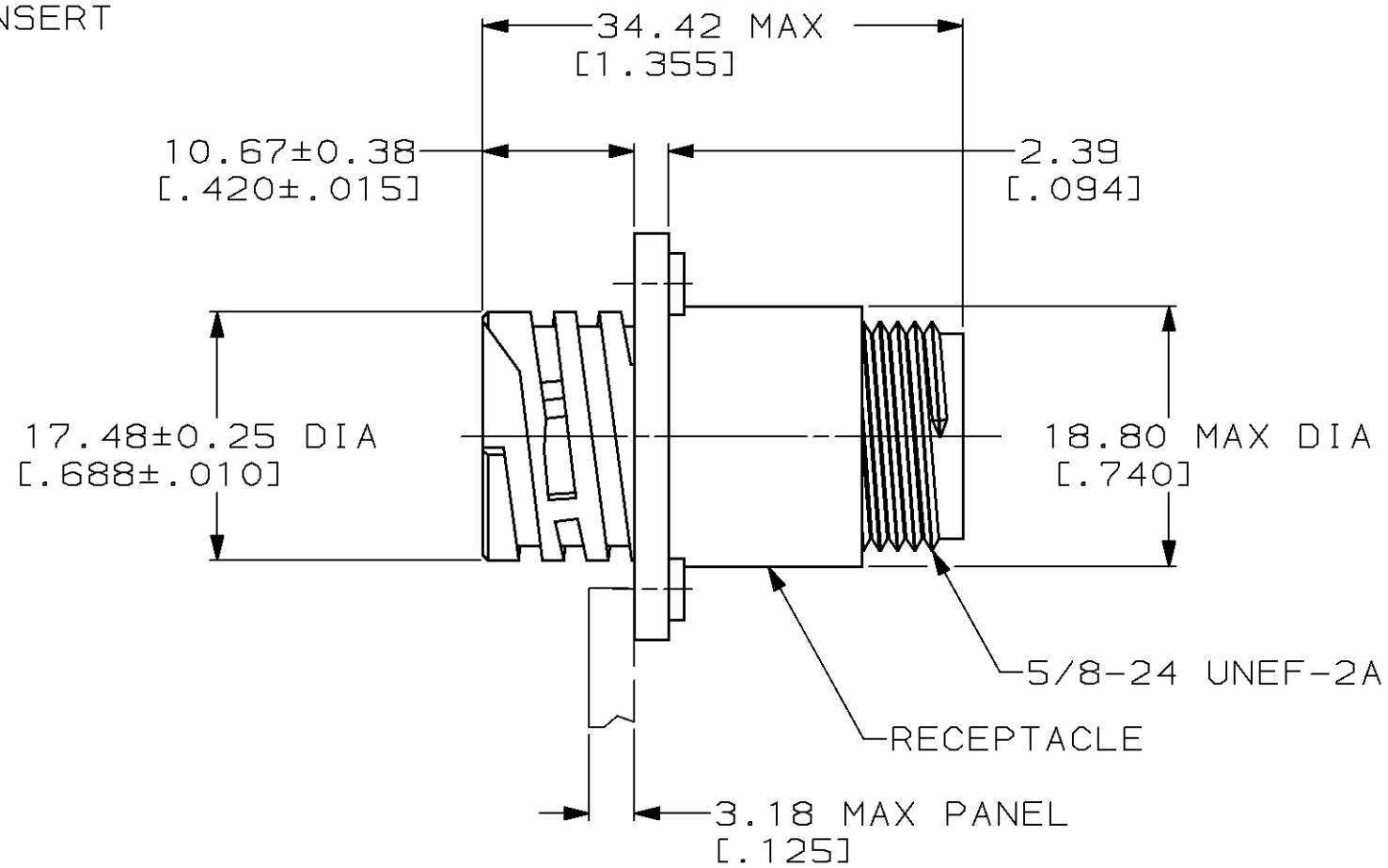
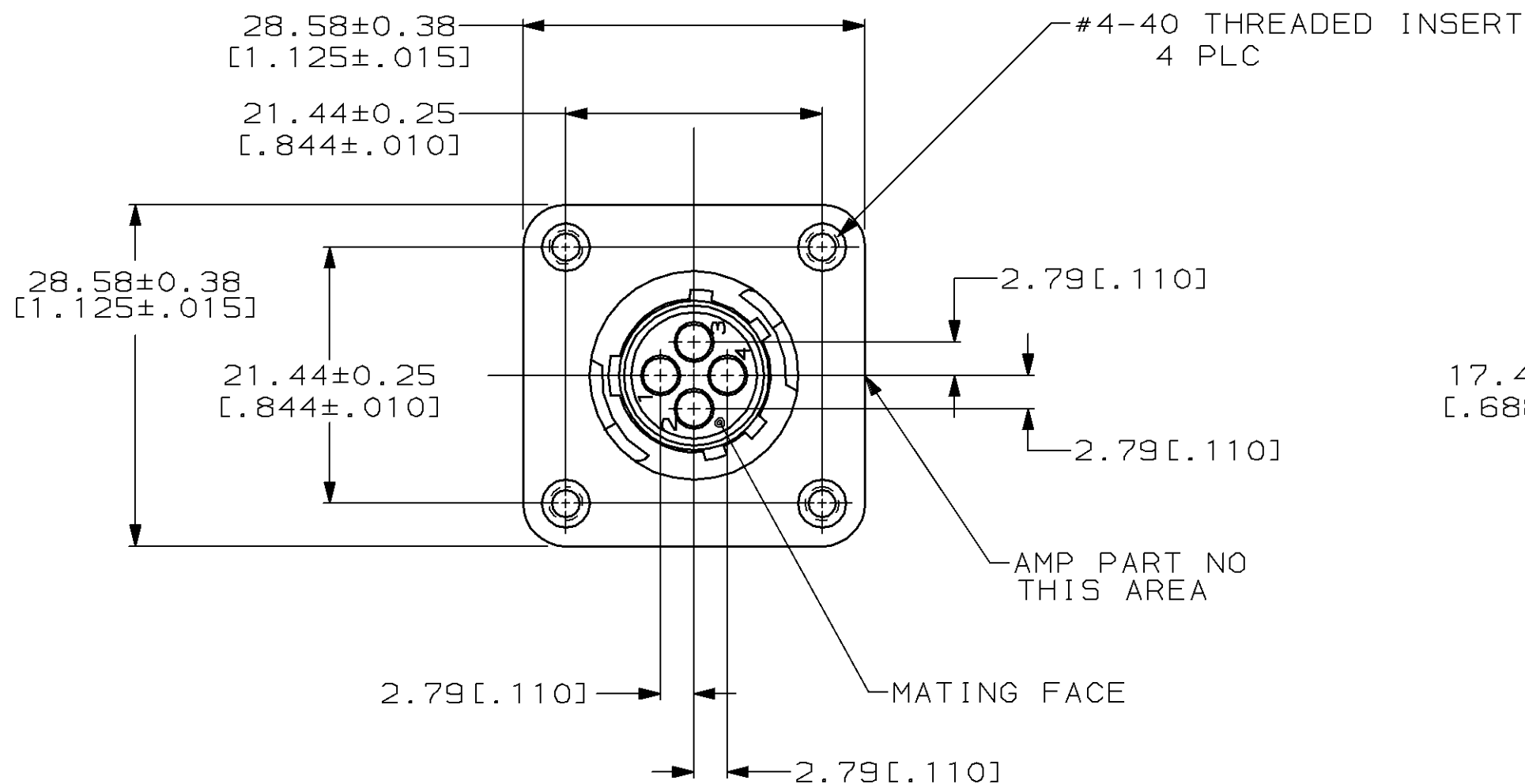


MOD		LOC		DIST		REVISIONS				
ZONE	LTR	DESCRIPTION	DATE	APPD						
4	BD	35	P	F	A	REDRAWN W/O CHANGE PER EC 0020-600-94	06/20/94	AF		



RECOMMENDED PANEL CUTOUT

- CAVITY IDENTIFICATION ON FRONT AND REAR FACE.
- WILL ACCEPT FOUR (4) MULTIMATE PIN CONTACTS.

THIS DRAWING IS A CONTROLLED DOCUMENT FOR AMP INCORPORATED. IT IS SUBJECT TO CHANGE AND THE CONTROLLING ENGINEERING ORGANIZATION SHOULD BE CONTACTED FOR THE LATEST REVISION.

		208130-1	
		PART NO	
DO NOT SCALE PRINT. UNLESS SPECIFIED DIMENSIONS IN mm [INCHES] TOLERANCES ON : 2 PLC DEC ±0.13 [.005] 3 PLC DEC ± - ANGLES ± -		<b>AMP</b> AMP Incorporated Harrisburg, PA 17105-3608	
MATERIAL HOUSING: THERMOPLASTIC, BLACK INSERT: BRASS		NAME RECEPTACLE ASSEMBLY W/ THREADED FASTENERS, SHELL SIZE 11, STANDARD SEX, CPC	
FINISH -		SIZE CAGE CODE DRAWING NO © 00779 ©=208130	
APPLICATION SPEC -		SCALE 2:1 SHEET 1 OF 1	
WEIGHT -			